

JA-110M Bus module for magnetic detectors - 2 inputs

The product is a component of the **JABLOTRON JA-100 system**. It is used to connect door detectors and is equipped with two separate inputs offering a wide range of configuration options. The module is enrolled to two consecutive positions in the system. The detector has a status reaction (reports its activation and deactivation). It should be installed by a trained technician with a valid certificate issued by an authorized distributor.

Installation

When selecting the right location for the module, bear in mind that the wires leading to a detector (detectors) should not be longer than 3 m.

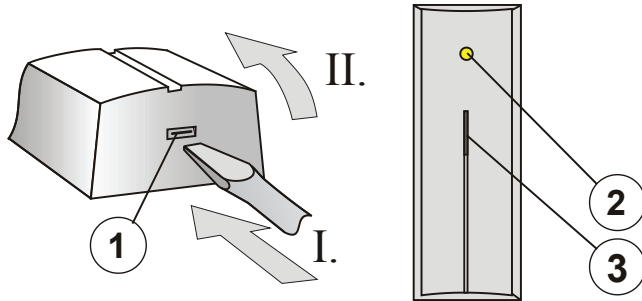


Fig: 1 – cover tab; 2 – yellow fault indicator; 3 – red input activation indicator

1. Open the module cover and take out the PCB (by pressing the tab)
2. Insert the bus and detector cable(s) and attach the plastic base with screws.



When connecting the module to the system bus, always switch the power off.

3. Insert the PCB back and connect the bus cables to the terminals.

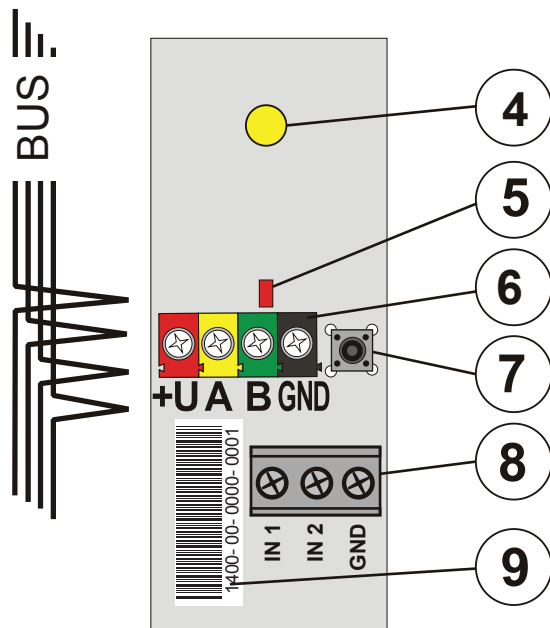
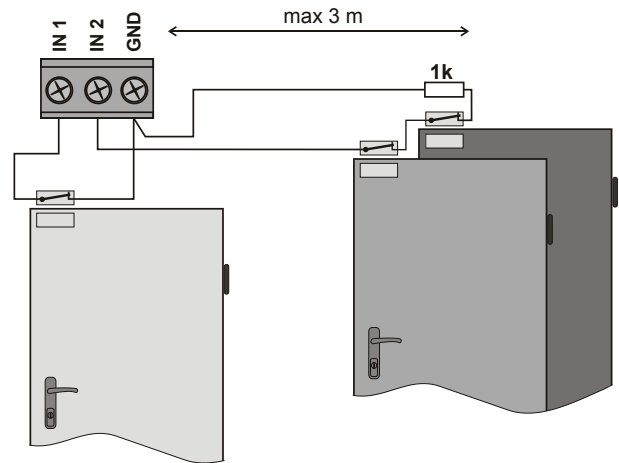


Fig: 4 – yellow fault indicator; 5 – red input activation indicator; 6 – bus terminals; 7 – tamper contact; 8 – detector terminals; 9 – production code

4. If you want to use a balanced loop for better protection of the detector connection use a 1k resistor in series with a detector (see the following figure). The balance function must be enabled in the detector settings.



5. Proceed according to the control panel installation manual. Basic procedure:
 - a. When the device is powered, the yellow LED starts flashing repeatedly to indicate that the module has not been enrolled into the system.
 - b. Go to the **F-Link** program, select the required position in the **Devices** window and launch enrollment mode by clicking on the **Enroll** option.
 - c. Press the tamper contact (7) – the module is enrolled and the yellow LED goes off. Warning – the module is enrolled to two consecutive positions (each input is enrolled to one position).
 - d. For correct input reading by the control panel connect GND and input IN1 for 2 sec. and after that to input IN2.
6. Close the module cover.

Internal settings of the module

The **Internal settings** option (on the first or second occupied module position) in the **Devices** window in the **F-Link** program opens a dialog window where you can set the following options for each input:

LED indication enabled: Allows the user to disable activation indication with a red LED.

Input reaction 1(2): *Disabled* – no reaction, *Unbalanced* – reacts to contact disconnection, *Balanced* – a 1k resistor is used in serial connection with the detector. The input is activated when the resistance decreases below 700 ohms or increases above 1300 ohms. *Roller* – reacts to repeated short pulses with selectable sensitivity at 2 levels: *Impulse 1* = activation after 3 pulses until a 2 minute timeout; *Impulse 2* = activation after 5 pulses until a 2 minute timeout. When the input terminal is open for more than 0,5s a tamper alarm is triggered. After activation the input in not read.

Inverted input reaction: (valid for an Enabled or a Balanced input only) The default settings for the input reaction is NC (normally close). Enabling this option sets the reaction to NO (normally open).

Delay input reaction: sets the immunity to false activation. Valid for Enabled or Balanced inputs and it means how long an input has to be triggered for the control panel to react to it.: 0.5 s * (settings 0.1 s ... 300 s).

Technical specifications

Power	from control panel bus 12 V (9...15 V)
Current consumption in standby mode	5 mA
Current consumption for cable choice	5 mA
Maximum length of the connection cable between the input and the detector	3 m
Dimensions	100 x 40 x 24 mm
Classification	Grade II
according to	EN 50131-1, EN 50131-3
Operational environment according to EN 50131-1	II. Indoor general
Operating temperature range	-10 to +40 °C
Also complies with	EN 50130-4, EN 55022



JABLOTRON ALARMS a.s. hereby declares that the JA-110M is in a compliance with the relevant Union harmonisation legislation: Directives No: 2014/30/EU, 2011/65/EU. The original of the conformity assessment can be found at www.jablotron.com - Section Downloads.



Note: Although this product does not contain any harmful materials we suggest you return the product to the dealer or directly to the producer after use.